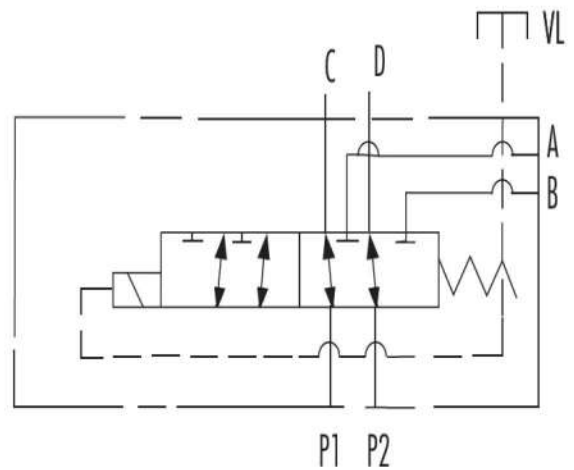


SFD SERIES

SOLENOID FLOW DIVERTERS

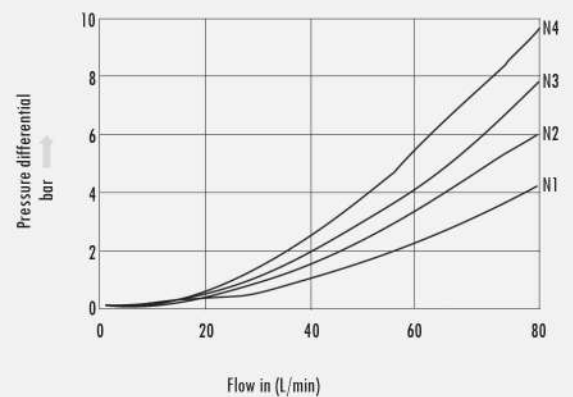
SFD10

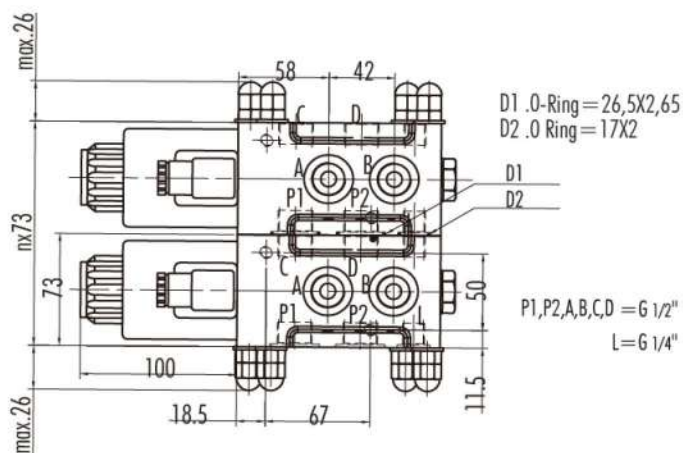
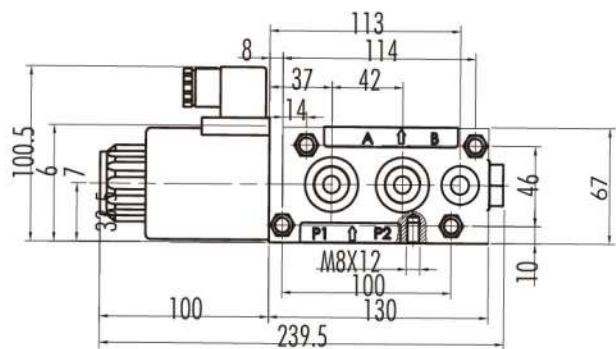


TECHNICAL DATA

Model	SFD10
Max flow rate (L/min)	80
Max operating pressure (MPa)	25
Valve body (Material) Surface Treatment	(casting) phosphating surface
Oil cleanliness	NAS1638 class 9 and ISO4406 class 20/18/15

CHARACTERISTIC CURVES (measured with HLP46, Voil=40° + -5°C)





TECHNICAL DATA

elements	way	NX73
No. of		Lengths (mm)
1	6	73
2	8	146
3	10	219
4	12	292

